



IGI GEMOLOGICAL REPORT

IGI LABORATORY GROWN DIAMOND GRADING REPORT

07/28/2020

IGI Report Number LG425067804

Shape and Cutting Style SQUARE CUSHION BRILLIANT

Measurements 7.65 X 7.53 X 4.97 MM

GRADING RESULTS

Carat Weight 2.01 CARATS

Color Grade J

Clarity Grade VS 2

ADDITIONAL GRADING INFORMATION

Polish EXCELLENT

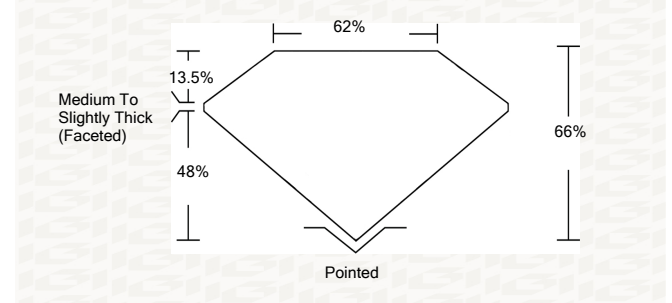
Symmetry VERY GOOD

Fluorescence NONE

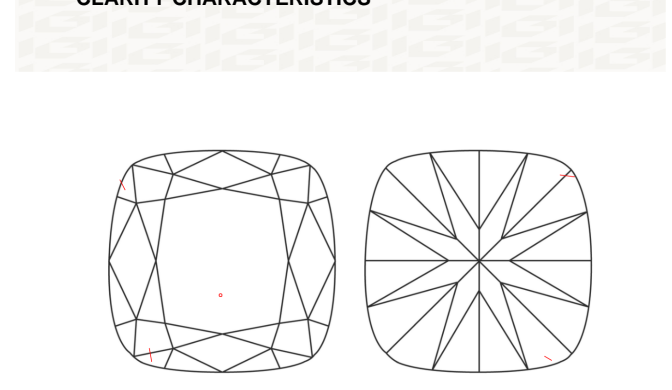
Inscription(s) LABGROWN IGI LG425067804

ADDITIONAL INFORMATION

PROPORTIONS



CLARITY CHARACTERISTICS



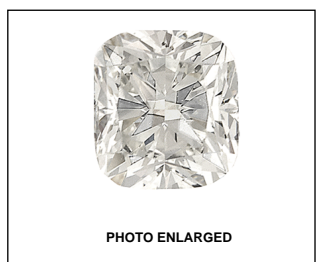
KEY TO SYMBOLS

Red symbols indicate internal characteristics. Green symbols indicate external characteristics.

GRADING SCALES

Table with 5 columns for Color Grading Scale (CL, NC, FT, VLT, LT) and Clarity (10x) Grading Scale (FL, IF, VVS, VS, SI, I).

The laboratory grown diamond described in this Report (Report) has been graded, tested, analyzed, examined and/or inscribed by International Gemological Institute (IGI). A laboratory grown diamond is one that has essentially the same chemical, physical and optical properties as a mined diamond...



LABGROWN IGI LG425067804

LASERSCRIBE SM



IGI LABORATORY GROWN DIAMOND GRADING REPORT

07/28/2020

IGI Report Number LG425067804

Shape and Cutting Style SQUARE CUSHION BRILLIANT

Measurements 7.65 X 7.53 X 4.97 MM

Carat Weight 2.01 CARATS

Color Grade J

Clarity Grade VS 2

ADDITIONAL GRADING INFORMATION

Polish EXCELLENT

Symmetry VERY GOOD

Fluorescence NONE

Inscription(s) LABGROWN IGI LG425067804

GRADING RESULTS

Carat Weight 2.01 CARATS

Color Grade J

Clarity Grade VS 2

ADDITIONAL GRADING INFORMATION

Polish EXCELLENT

Symmetry VERY GOOD

Fluorescence NONE

Inscription(s) LABGROWN IGI LG425067804

Summary of report details including IGI logo, report number, date, measurements, and grading results.



This Report is subject to the terms and conditions

© IGI 2000, edition 2019 all rights reserved.

THE DOCUMENT WAS PRODUCED THE FOLLOWING SECURITY MEASURES: SPECIAL DOCUMENT PAPER, INK SCREENS, WATERMARK, BACKGROUND DESIGNS, HOLOGRAM AND OTHER SECURITY FEATURES NOT LISTED AND DO EXCEED DOCUMENT SECURITY INDUSTRY DUDLINES