



GIA®

FACSIMILE

This is a digital representation of the original GIA Report. This representation might not be accepted in lieu of the original GIA Report in certain circumstances. The original GIA Report includes certain security features which are not reproducible on this facsimile.

GIA REPORT ***** 2760

Verify this report at GIA.edu

GIA NATURAL DIAMOND DOSSIER®

October 15, 2025
 GIA Report Number ***** 2760
 Shape and Cutting Style Round Brilliant
 Measurements 5.14 - 5.17 x 3.05 mm

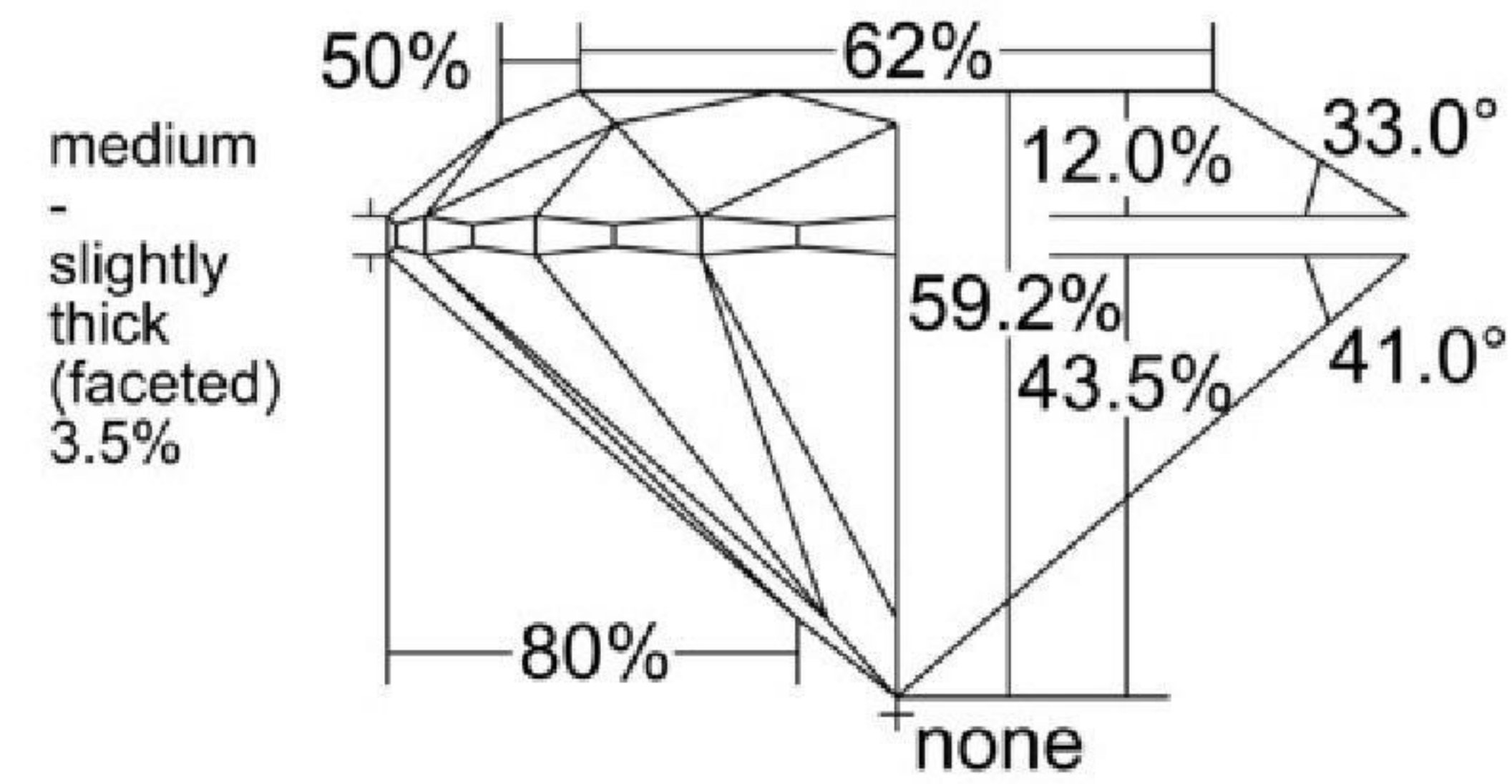
GRADING RESULTS

Carat Weight 0.50 carat
 Color Grade D
 Clarity Grade VVS1
 Cut Grade Excellent

ADDITIONAL GRADING INFORMATION

Polish Excellent
 Symmetry Excellent
 Fluorescence None
 Clarity Characteristics Pinpoint
 Inscription(s): 2760

PROPORTIONS



Profile to actual proportions

GRADING SCALES

GIA COLOR SCALE		GIA CLARITY SCALE		GIA CUT SCALE
COLORLESS	D	SLIGHTLY INCLUDED	FLAWLESS	EXCELLENT
	E		INTERNALLY FLAWLESS	
	F		VVS ₁	VERY GOOD
G	VVS ₂			
NEAR COLORLESS	H	VERY SLIGHTLY INCLUDED	VS ₁	GOOD
	I		VS ₂	
	J		SI ₁	FAIR
K	SI ₂			
FAINT	L	INCLUDED	I ₁	POOR
	M		I ₂	
	N		I ₃	
VERY LIGHT	O			
	P			
	Q			
LIGHT	R			
	S			
	T			
	U			
	V			
	W			
	X			
	Y			
	Z			



The results documented in this report refer only to the diamond described, and were obtained using the techniques and equipment available to GIA at the time of examination. This report is not a guarantee or valuation. For additional information and important limitations and disclaimers, please see GIA.edu/terms or call +1 800 421 7250 or +1 760 603 4500. ©2023 Gemological Institute of America, Inc.

reportcheck.gia.edu



THE SECURITY FEATURES IN THIS DOCUMENT, INCLUDING THE HOLOGRAM, SECURITY SCREEN AND MICROPRINT LINES, IN ADDITION TO THOSE NOT LISTED, EXCEED DOCUMENT SECURITY INDUSTRY GUIDELINES.